



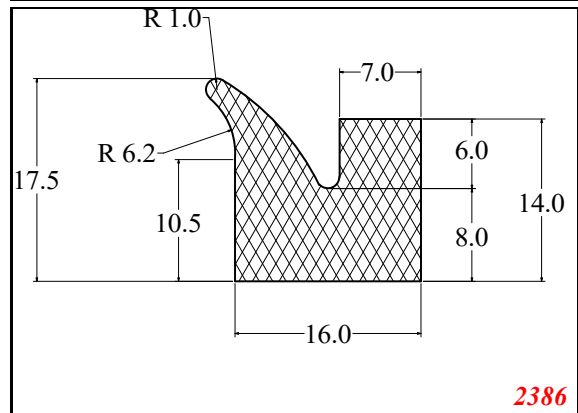
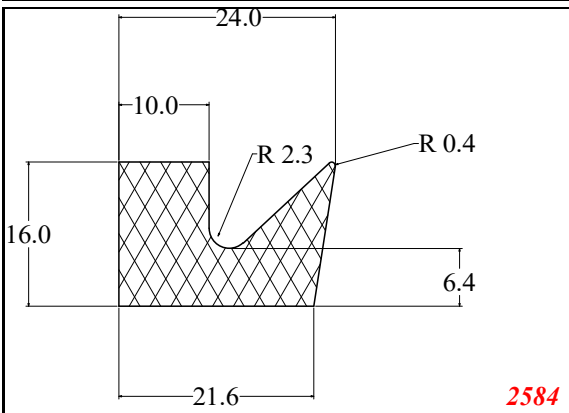
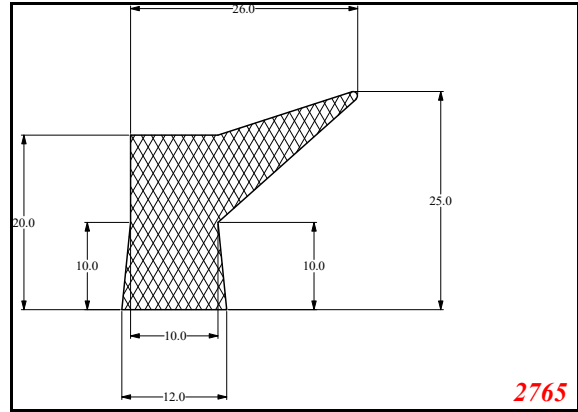
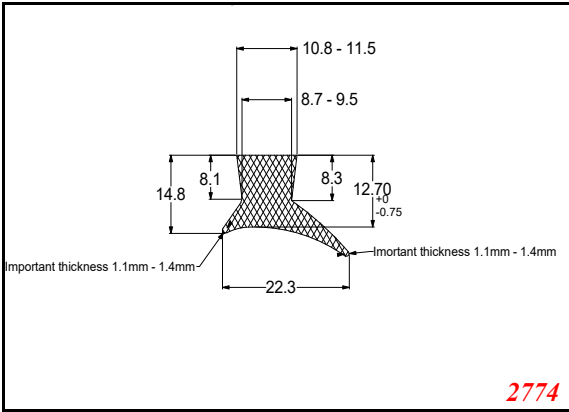
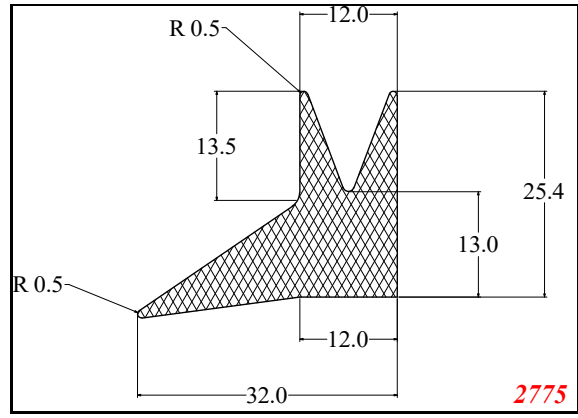
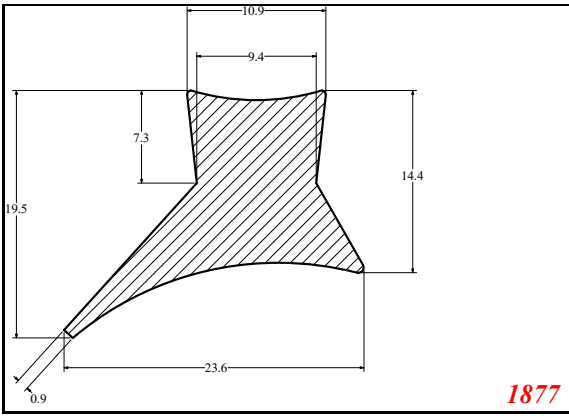
**WILLIAM JOHNSTON
& COMPANY LIMITED**

Inverness Tel: +44 (0) 1463 238 673

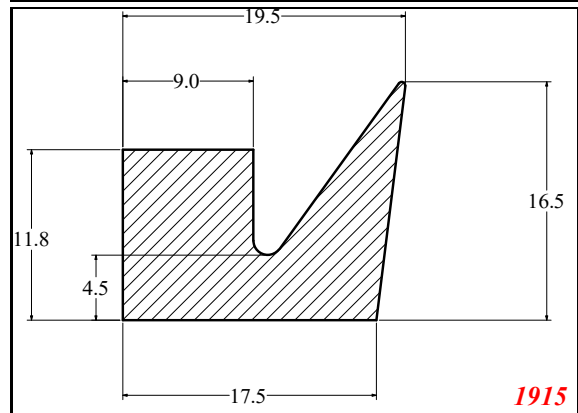
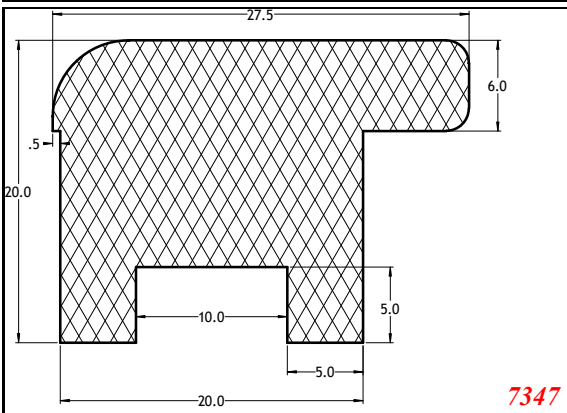
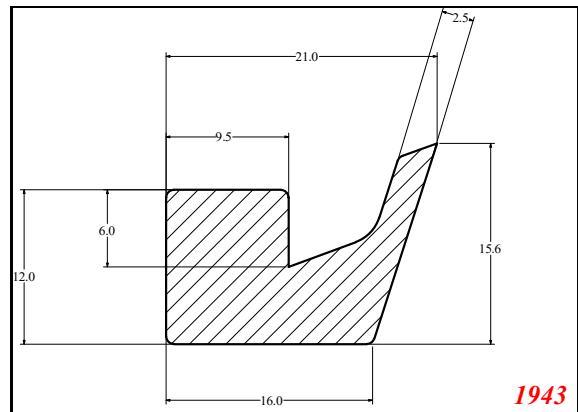
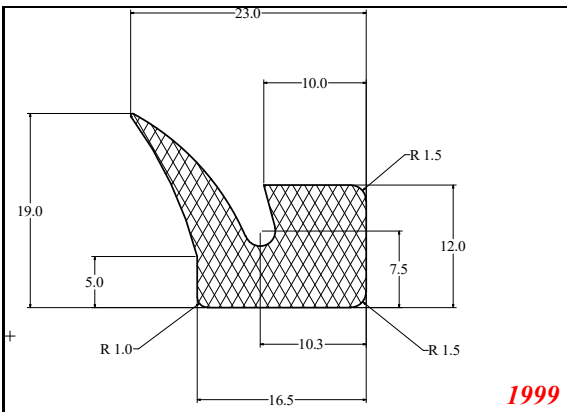
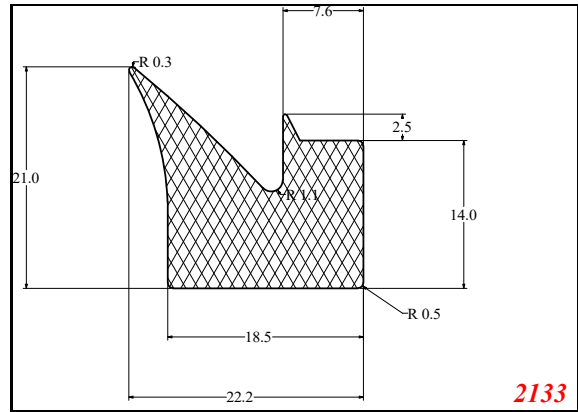
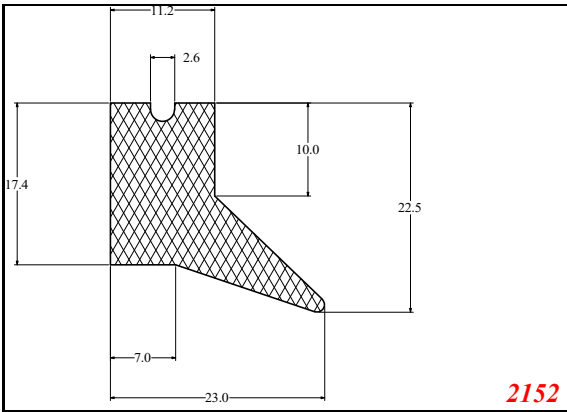
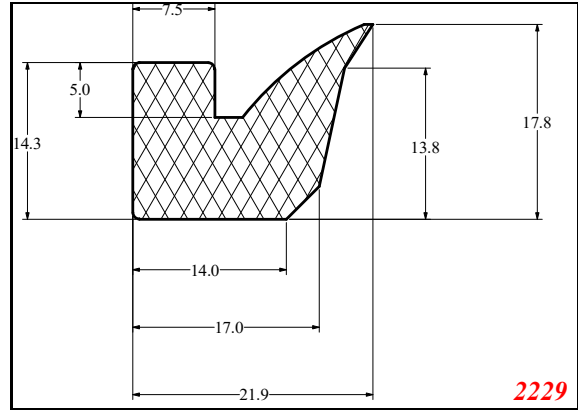
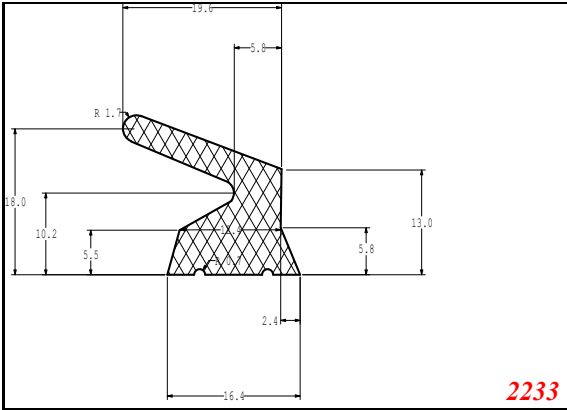
autoclave@williamjohnston.co.uk

www.williamjohnston.co.uk

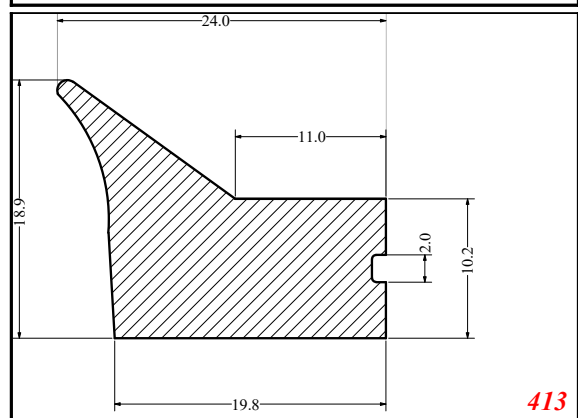
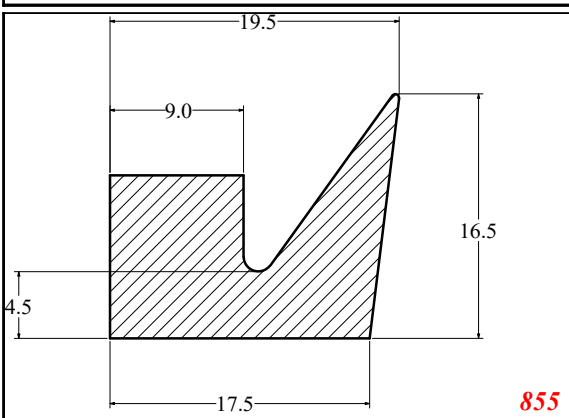
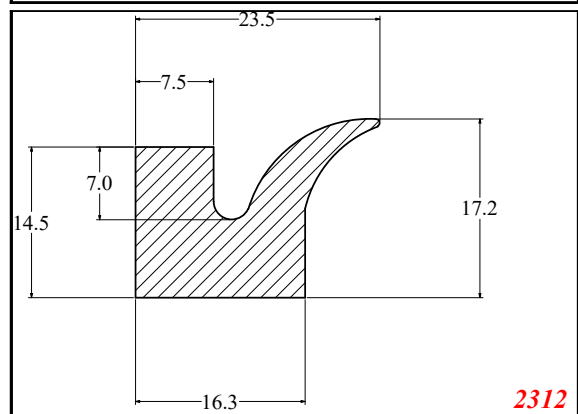
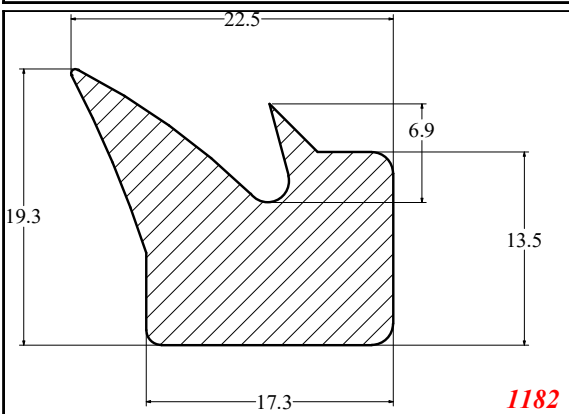
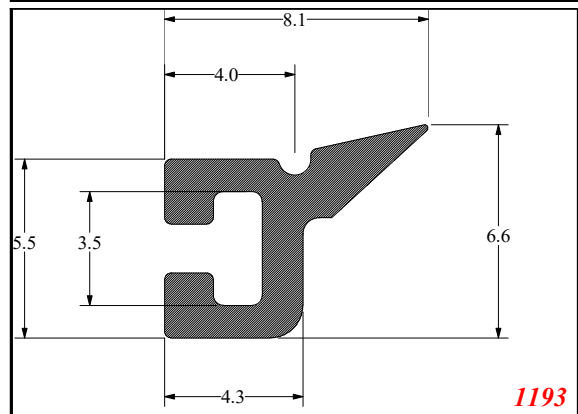
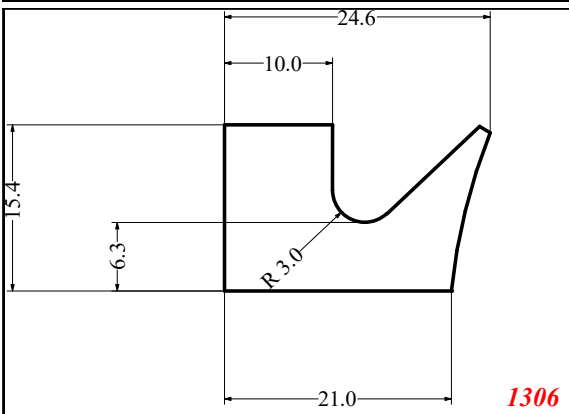
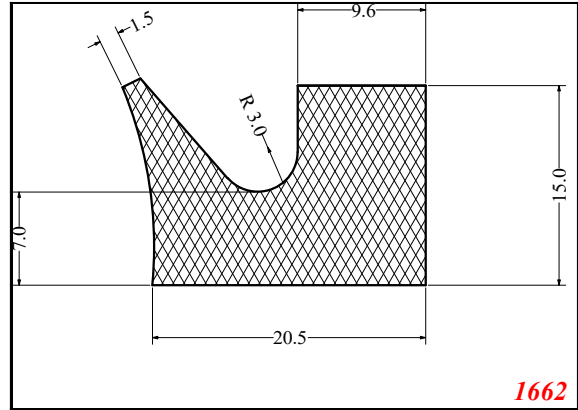
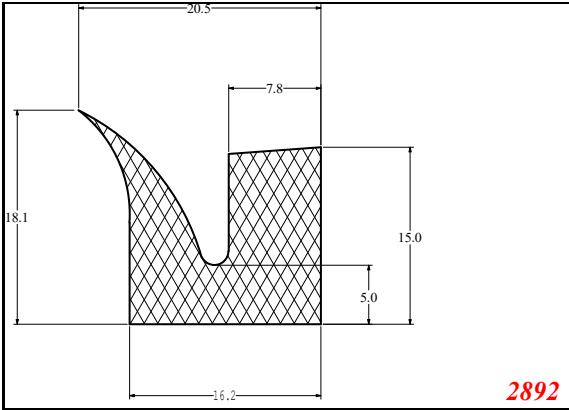
Autoclave



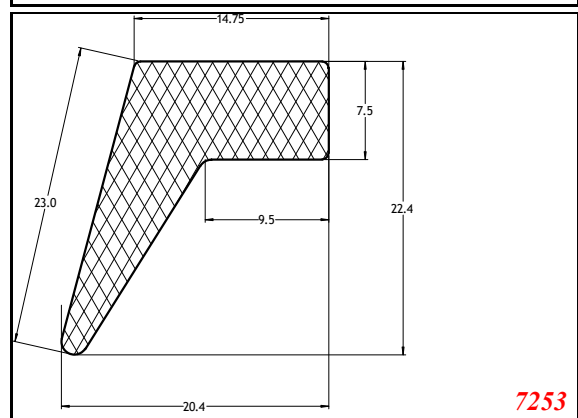
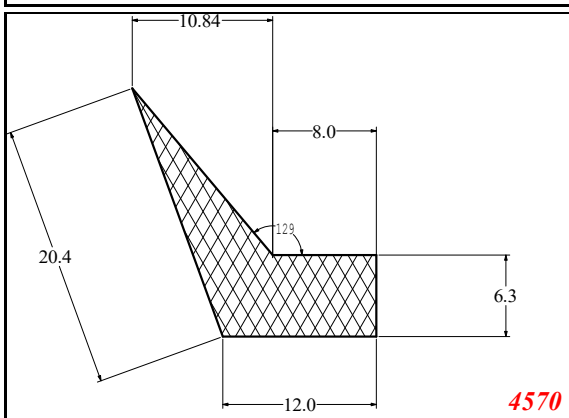
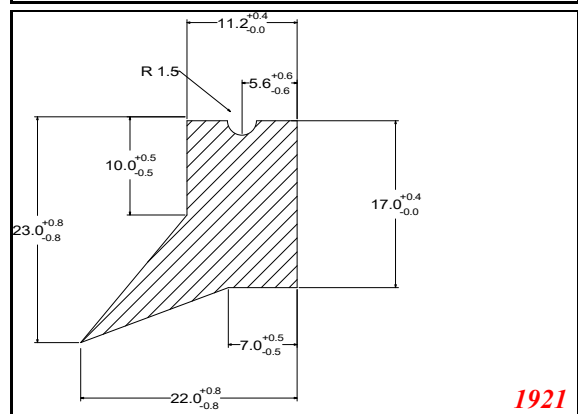
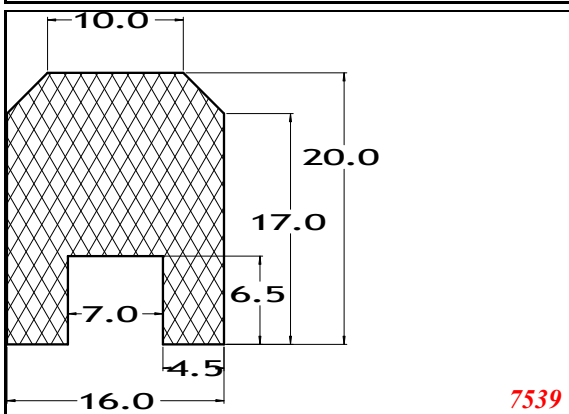
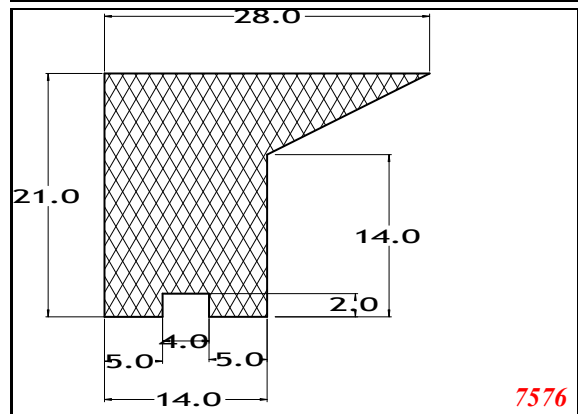
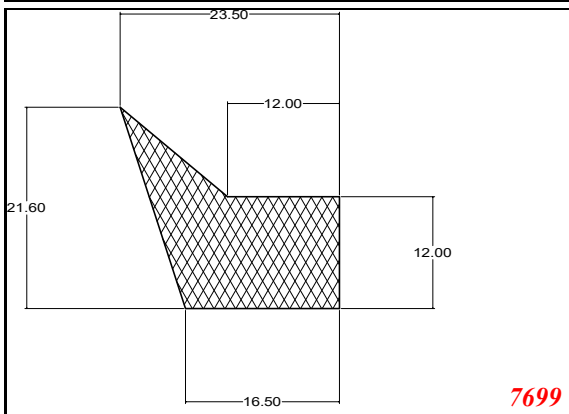
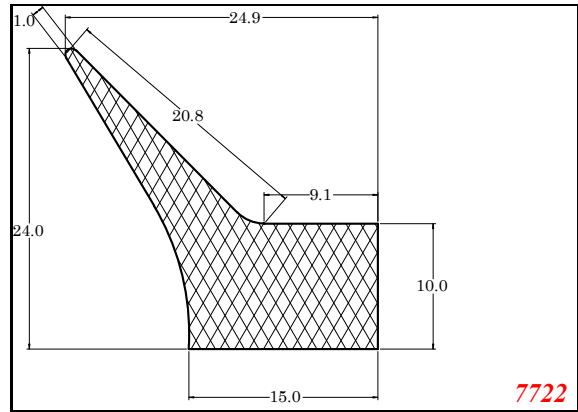
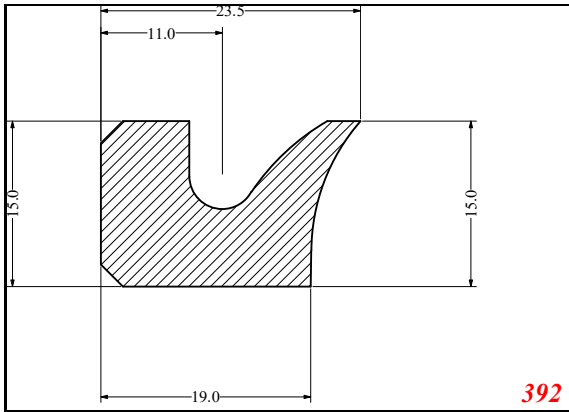
Autoclave



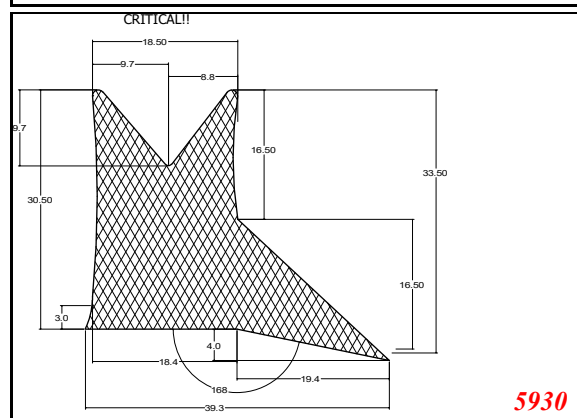
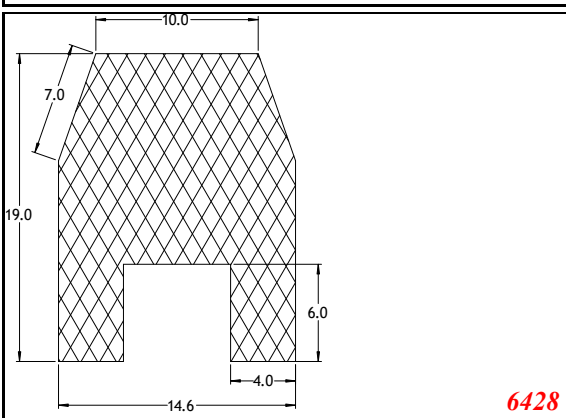
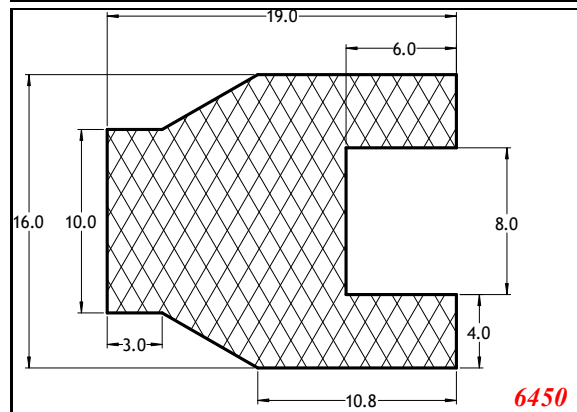
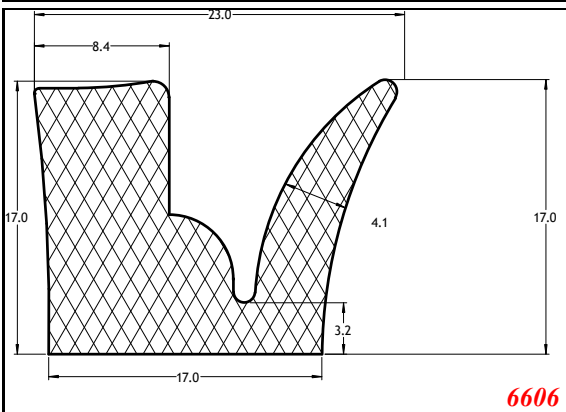
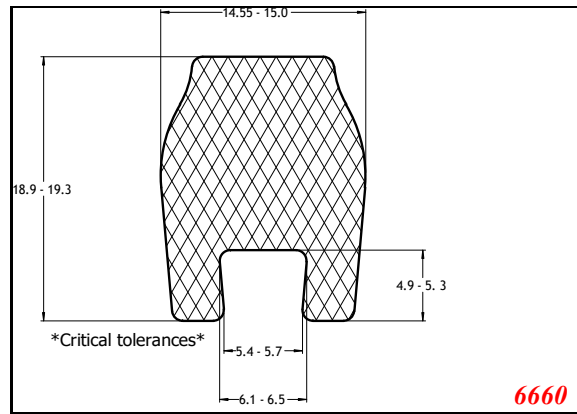
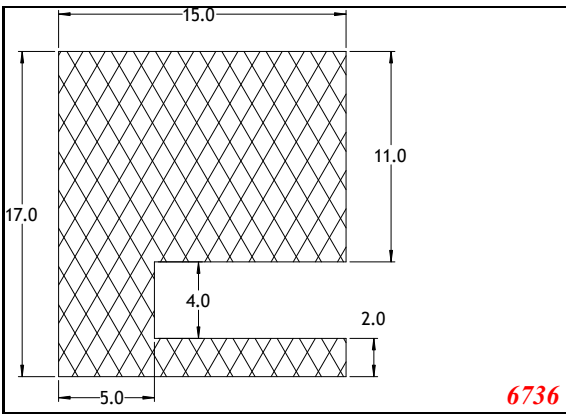
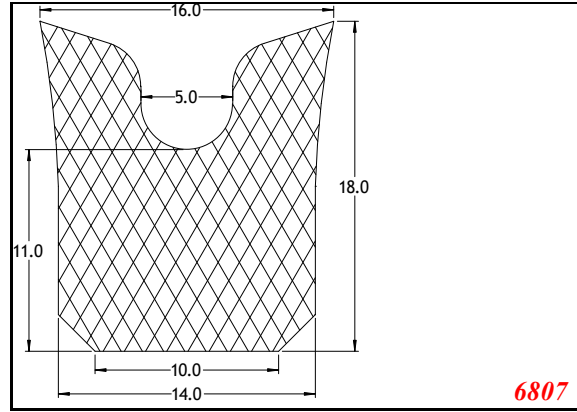
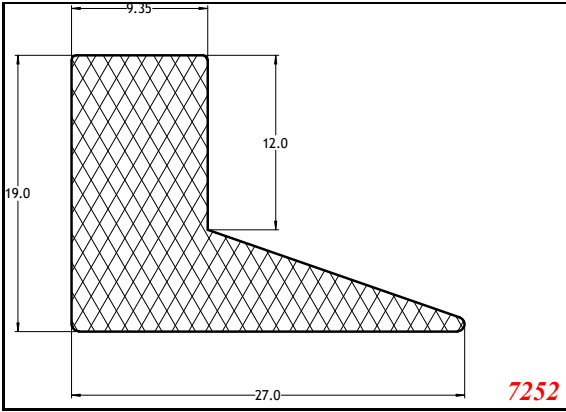
Autoclave



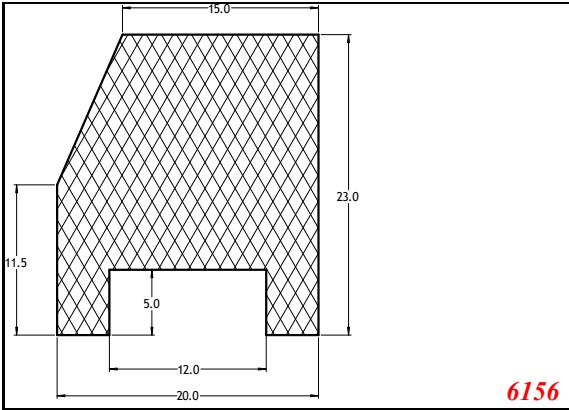
Autoclave



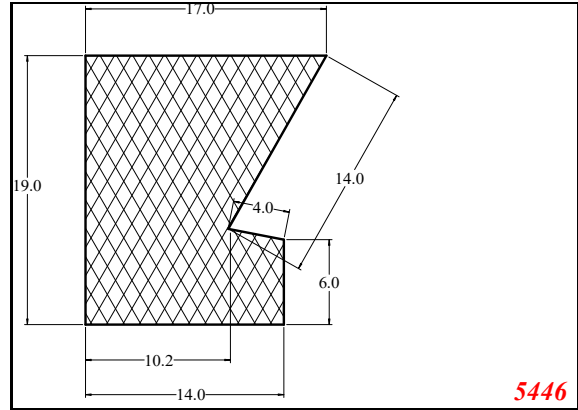
Autoclave



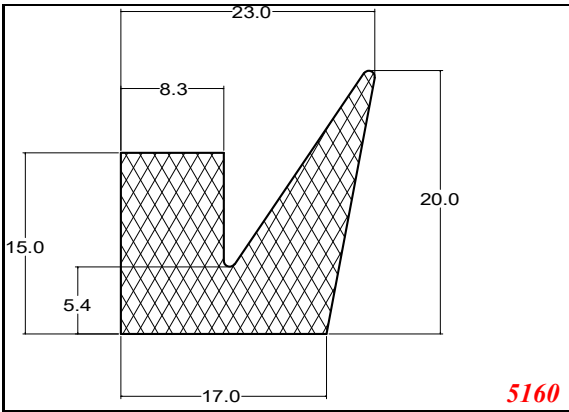
Autoclave



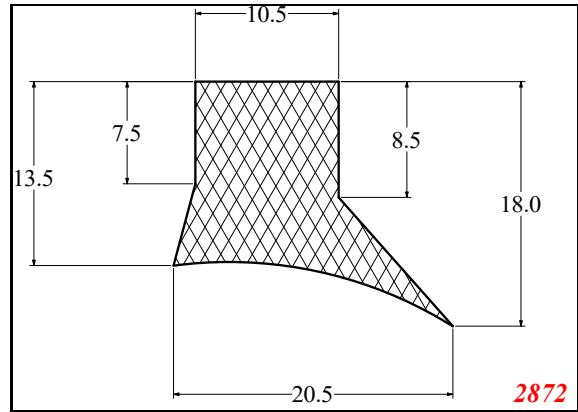
6156



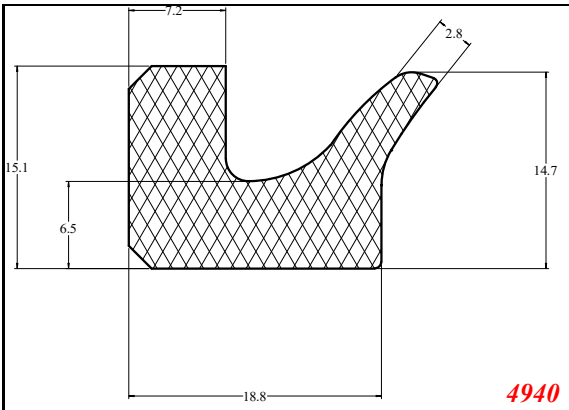
5446



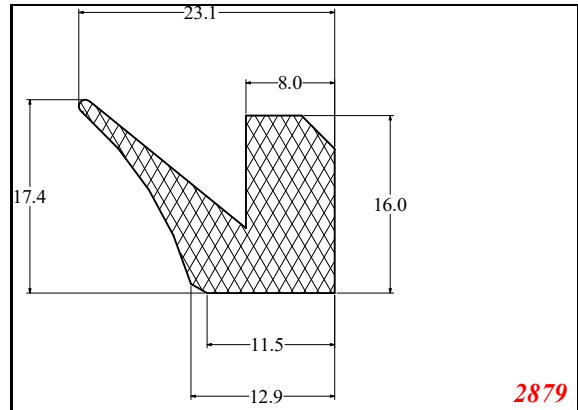
5160



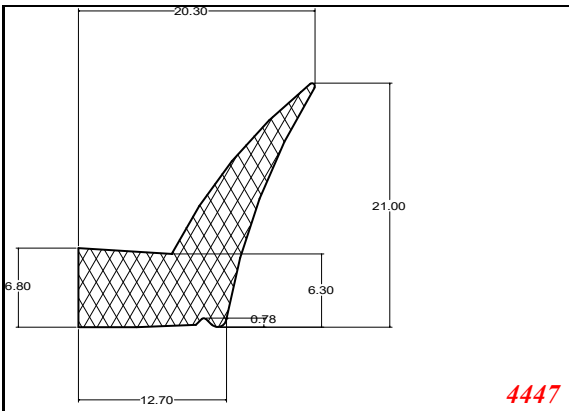
2872



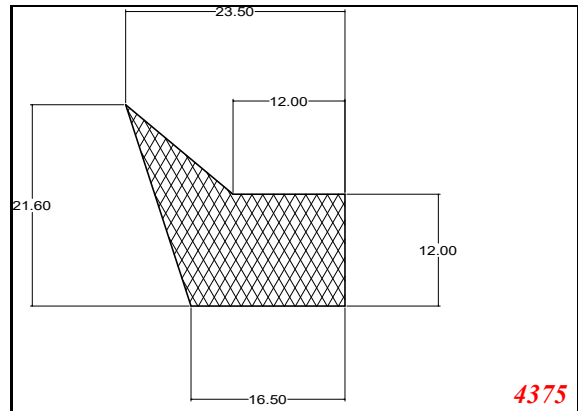
4940



2879

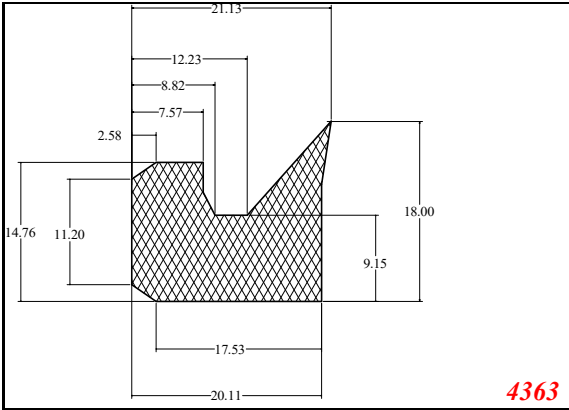


4447

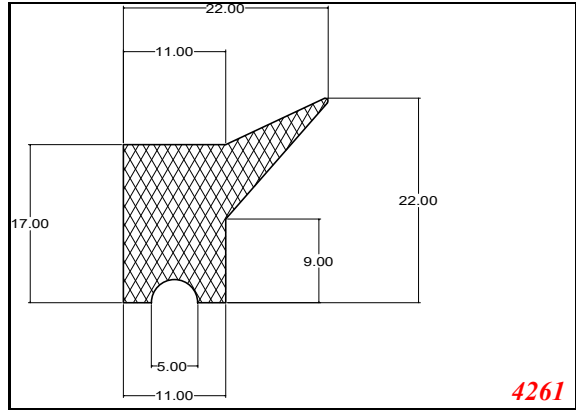


4375

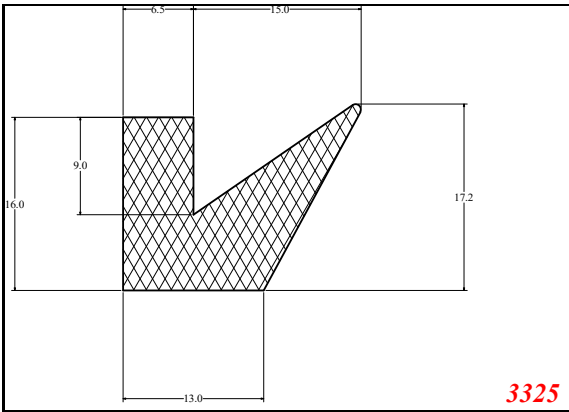
Autoclave



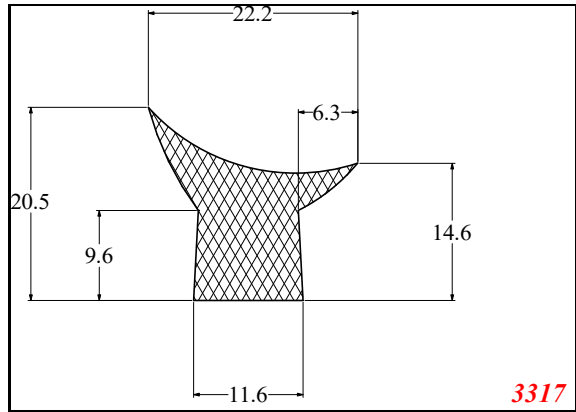
4363



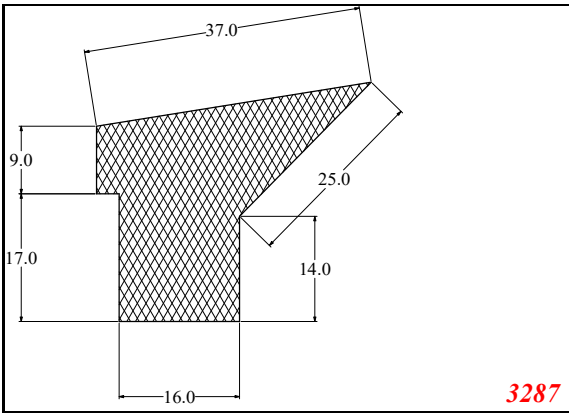
4261



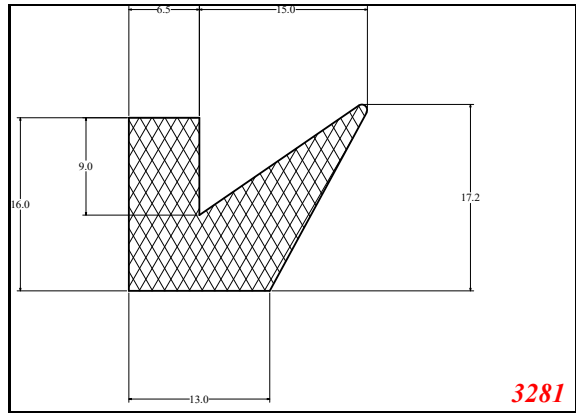
3325



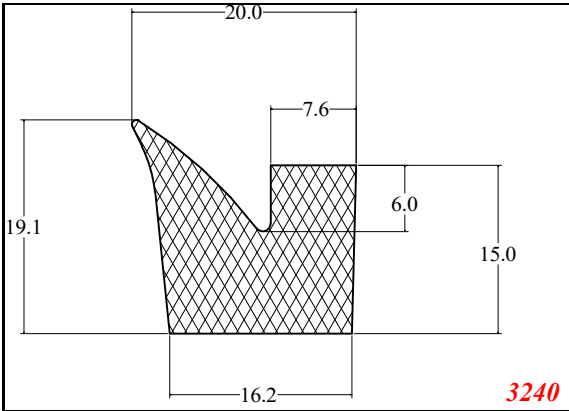
3317



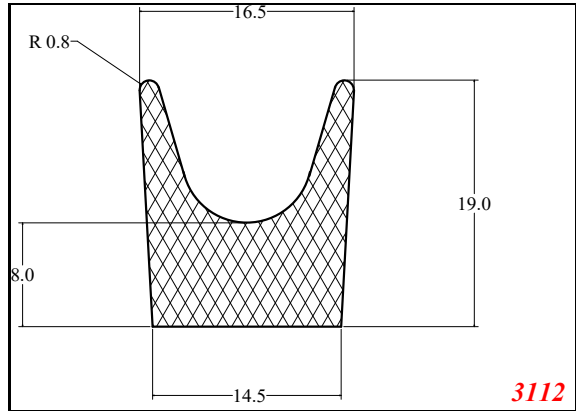
3287



3281

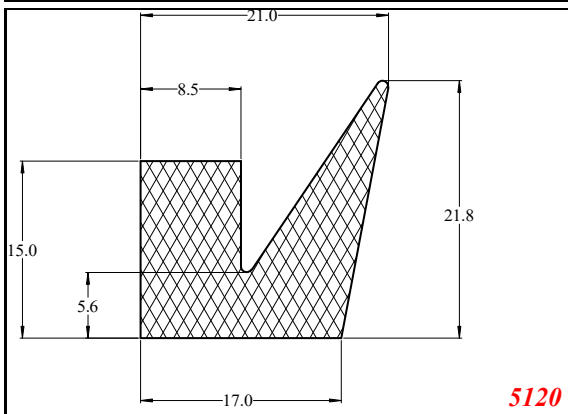
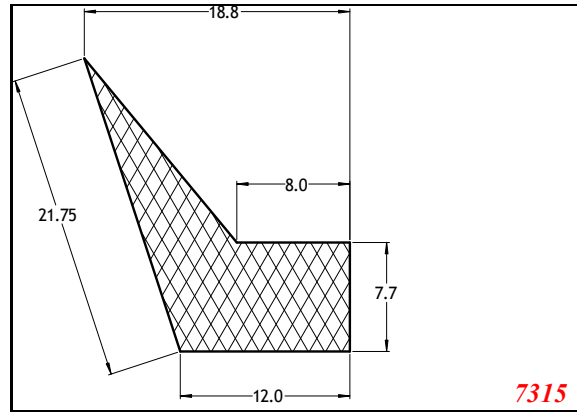
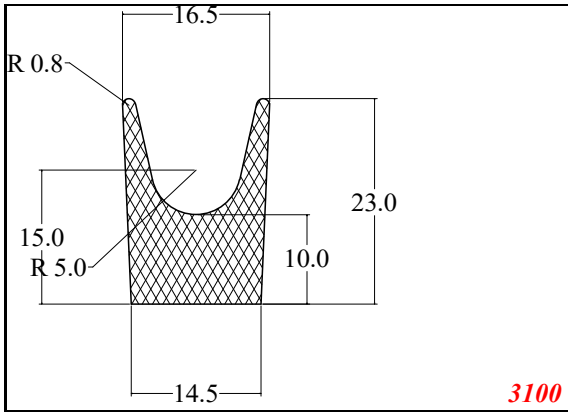


3240



3112

Autoclave



Disclaimer

Please note, failure to select the correct materials or products we supply ("the Products") may result in damage to plant, equipment or property. In some instances, it may cause death or personal injury. We are not designers and do not give advice about design related matters concerning the Products. We can help and assist with the technical specifications for the Products. In specific applications, particularly where critical conditions exist, we will try to assist you within the limitations of the services that we offer. All information supplied by us is intended as technical co-operation outlining the specifications of the different Products which we supply. To the extent permitted in law, no warranty is given in respect of any information supplied by us. The customer must satisfy themselves as to the suitability of the Products for their intended application and use. The correct fitting of Products is the responsibility of the customer. Your statutory rights remain unaffected. Save in respect of death, personal injury or fraud, our entire liability to you, however arising from the supply of Products shall be limited to the £10M indemnity amount provided by our insurers.